



Ezi Bar Panel

Specification Document

Ezi-roll Queensland
20 Randle Rd,
Pinkenba QLD 4008
Ph: (07) 3260 1080
Fax: (07) 3260 1027
sales@eziroll.com.au

Ezi-roll Victoria
14 Fillo Drive
Somerton VIC 3062
Ph: (03) 9357 0749
Fax: (03) 9357 6988
vicsales@eziroll.com.au

Ezi-roll South Australia
82 Daws Rd
Edwardstown SA 5039
Ph: (08) 8374 0111
Fax: (08) 8374 0133
sasales@eziroll.com.au

Sectional Overhead / Bar Panel Door

The Ezi Bar Panel is a commercial grade Aluminium Sectional Door which is ideally suited to undercover carpark structures where the headroom above an opening is limited. This door has been designed with security and functionality in mind. A strong and rigid aluminium frame is threaded with 19mm aluminium bars creating a contemporary aesthetic while ensuring long-term durability. The Ezi Bar Panel is available in a wide range of powder coated colours and sizes.

Ezi-roll Sectional Overhead Door Range

Ezi Bar Panel is 1.6mm aluminium welded framed sectional overhead door threaded with 19mm aluminium bars through aluminium framing.

A commercial grade aluminium sectional door for undercover carpark structures with limited headroom, including 300 mm plus motor in standard lift applications or 190 mm plus motor in a rear mount applications. The door provides a maximum of 69% free airflow.

For openings up to 3 m high and up to 6 m wide. Doors over 4.95 m wide supplied with double end stiles.

History

Ezi-roll Doors Australia has been manufacturing industrial and commercial doors since 1971. Since its inception, Ezi-Roll Doors Australia has been continuously developing its products in both design and manufacturing efficiencies. The Ezi Bar Panel is one example and it is featured below.

Recommended Application

The Ezi Bar Panel is suitable for openings ranging from 1.9m to 3m high and up to 6m wide. This horizontal bar panel curtain is designed to ensure maximum security and strength is provided for applications such as secure parking structures, commercial building security, hi-rise commercial or residential buildings and sporting complexes. This door also allows a large amount of visibility and ventilation.

Commercial Security Door

The Ezi Bar Panel is constructed of 19mm aluminium tubing that is threaded through Ezi-roll's unique aluminium frame. This method of assembly allows for minimal wall offsets for required hinge and bracket attachment. The Ezi Bar Panel is supplied standard in mill finish however aluminium framing may be powder coated as an optional extra.

Low Headroom

The Ezi Bar Panel can be installed in a headroom of 300mm plus motor in standard lift applications or 190mm plus motor in rear mount, low headroom applications.

Architectural Specification

Proprietary Item: Ezi-roll "Sectional Overhead Door" Ezi Bar Panel or equal approved. Refer to technical drawings for locations.

Door Frame: door to be constructed of high density aluminium, interlocked and riveted together. Supplied in mill finish or powder coated.

Door Curtain: 19mm aluminium tubing threaded through aluminium framing, supplied standard in mill finish. Aluminium framing may be powder coated as optional.

Hinging: 3mm heavy duty steel hinges and stainless steel cables to be supplied as standard.

Size: doors to suit openings up to 3m high and up to 6m wide. Doors over 4.95m wide to be supplied with double end stiles.

Tracking: 2.5mm galvanised tracks to be supplied on or fixed to the wall using appropriate fixings. Tracks accommodate 48mm nylon bearing stem rollers.

Operation: the door can be either manually operated or motorised depending upon size requirements.

Ventilation: the door shall provide a maximum of 69% free airflow.

Installation

General

Requirement: install overhead doors in conformance with Ezi-roll's recommendations and as documented.

Preparation

Substrate: before starting installation, check the alignment of substrates or framing and adjust if required.

Clearances: confirm clearances as per shop drawing. Check openings accommodate support brackets and door guides with the required clearances.

Assembly: assemble guide parts, axle parts, driving parts and slats or curtains.

Guide system

Requirement: install guide system as follows:

- Plumb, level, straight, true, and within tolerances and clearances recommended by the manufacturer and including installation points level at guide ends.
- Fixed or anchored to the building structure using mechanical fixings suitable for the substrate, the imposed loads and the door size.
- Isolated from any building loads, including loads caused by structural deflection or shortening.

Counterbalancing

Requirement: counterbalance steel springs to Ezi-roll's recommendations.

Manual/Automatic Operation

The Ezi Bar Panel can be manually or electrically operated. There is a range of electric motors available depending on application and usage. Automatic doors may be interfaced with external access devices such as remote control transmitters, exit loops, key pads, card readers or similar.

Spring Assisted

The Ezi Bar Panel is spring assisted and counterbalanced by high quality steel torsion springs which mechanically assist the doors operation through its lifting cables. For high cycle applications, the door can be configured with high cycle rated springs on request.

Bottom Rail

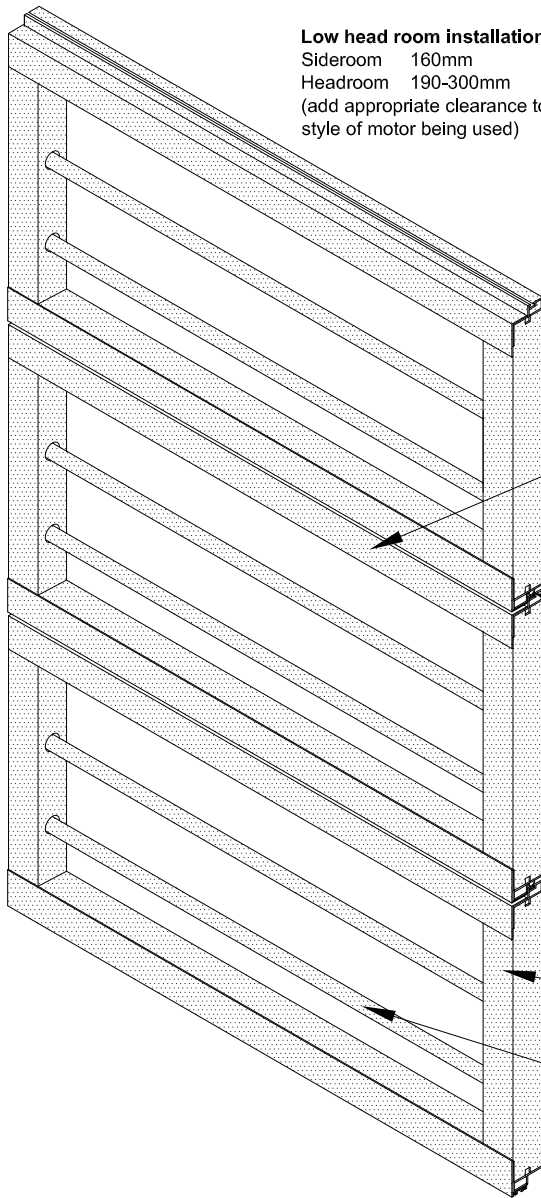
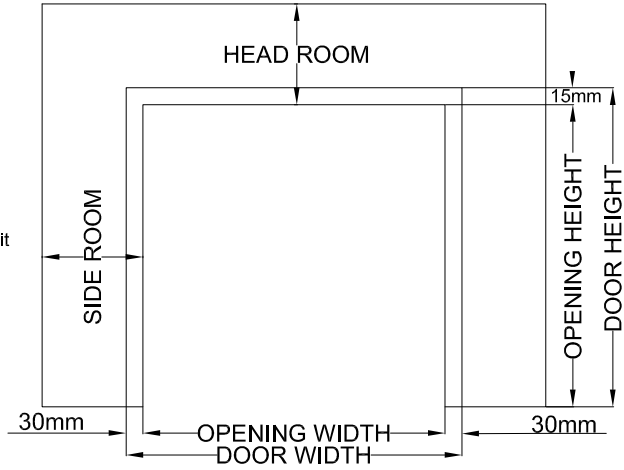
The Ezi Bar Panel is supplied with a sturdy aluminium bottom rail which includes a rubber weather seal. Optional top and side weather seals may be supplied on request.

EZI BAR PANEL

NOTE: SIZES ARE FOR OPENINGS
UP TO 2440mm IN HEIGHT

Standard installations:
Sideroom 120mm
Headroom 300mm
(add appropriate clearance to
suit style of motor being used)

Low head room installations:
Sideroom 160mm
Headroom 190-300mm
(add appropriate clearance to suit
style of motor being used)



MILL FINISH OR POWDERCOATED

3MM STEEL HINGES AS STANDARD

EACH PANEL FITTED WITH SEAL
FOR QUIETER OPERATION

"T" RAILS INCORPORATED INTO PROFILE
FOR ADDITIONAL STRENGTH AS STANDARD

1.6MM THICK ALUMINIUM EXTRUSION

Ø19mm ALUMINIUM BARS

Operation

Manual operation

General: install so that the force required to operate the door manually is safe and effortless.

Manual method: provide a manual door operating system incorporating the following, as documented:

- Hand stick (for high openings): by a boat hook type pole supplied with the installation.
- Chain: by pulling on a chain passing over a sprocket on the drum, with reduction gears where necessary.

Motorised operation

General: provide a motorised door operating system incorporating the following:

Contact Ezi-roll Doors Australia for the range of single and three phase Elsamec GFA – Elektromaten or Grifco electric motors available, depending on usage and application. They can be interfaced with external access devices such as remote control transmitters, exit loops, key pads, card readers or similar.

- A single or three phase electric motor with limit switches, and of adequate capacity to operate the specified door smoothly and without strain.
- Motor type: AC or DC motor (DC motors are generally considered to be quieter). Ezi-roll motor suppliers include Grifco, GFA – Elektromarten, Ezi-roll – ECR 600 and Elsamec Uniko for aluminium doors.
- Drive type: manual, chain or direct drive. Consider structure-borne sound generated by motor and drive, particularly in multi-unit residential buildings.
- Overload cutout.
- Optional photocell or IR beam safety device.
- Optional standard light fixture, automatically switched on when opener is activated, and switched off by timer (generally retain for single dwelling applications, and not applicable for multi-unit residential, commercial and other applications where other area lighting is provided).
- Manual release handle to disengage door from drive mechanism in the event of a power failure.
- Operation by battery-powered radio remote controller, supplied as part of the system.
- Quantity of programmed remote controllers: 2 (can vary depending on project requirements).
- Additional operation by push-button or key switch, located 1500 mm above floor level or per client request.

Locking

Automatically operated Ezi Bar Panel doors are self locking. Additional internal shoot bolt locking or external T-handle locking can be provided on manually operated doors. Manual locking systems are not recommended for use on automatic doors.

Sectional Overhead Door Schedule

The codes in the header row of the schedule designate each application or location of the item scheduled. Edit the codes to match those in other contract documents.

Product: Ezi Bar Panel.

Frequency of use: contact Ezi-roll Doors Australia for high and low cycle use products.

Door frame finish: select from mill finish or powder coated.

If powder coated, include colour.

Door curtain finish: select from clear anodised or powder coated.

If powder coated, include colour.

- Mill finish. Powder coated option available.

If powder coated, include colour.

Top and side weather seals: e.g. required, or not required.

Top and side weather seals are supplied on request.

Bottom rail weather seal: e.g. required, or not required.

Counterbalance spring: standard spring or high cycle steel spring.

Contact Ezi-roll Doors Australia

Operation: select from

- Manual.
- Motorised. Contact Ezi-roll Doors Australia.

Additional locking for manually operated doors: select from

- Internal shoot bolt locking or external t-handle locking.
- Locking not recommended for automatic doors.

Completion

Operation

General: make sure moving parts operate freely and smoothly to Ezi-roll's recommendations, without binding or sticking, at correct tensions or operating forces and that they are lubricated where appropriate.

Safety: make sure all safety features are operating and all obstacles removed from the door operating area.

Remote control device: make sure devices are programmed and operating.

Motor limits: set.

Protection

Temporary coating: on or before the date for practical completion of the works, or before joining up to other surfaces, remove all traces of temporary coatings used for protection.

Warranty

A 12 month limited material, labour and workmanship warranty applies to the Ezi Bar Panel as a standard cycle use product.

Use only where warranties extending beyond the defects liability period are available for the particular system. Insert the required warranty period and terms, which should be negotiated beforehand. If the warranty is in the form of separate material and installation warranties, require the signatures of both manufacturer and installer. The form(s) required should be provided as part of the contract documentation.

Ezi-roll Sectional Overhead Door Schedule

	SO1	SO2	SO3
Product			
Frequency of use (cycles per year)			
Door frame finish			
Door panel finish			
Top and side weatherseals			
Bottom rail weatherseal			
Hinges			
Counterbalance spring			
Operation			
Additional locking			

Disclaimer

Ezi-roll Doors Australia reserves the right to alter and or improve its products or any accessories at any time without notice and without incurring any obligation to make similar improvements to products previously ordered or sold.